

**XTERN SUMMIT ORTHOTIC  
ORTHÈSE XTERN SUMMIT**



2022-09-06

**MEDIUM : 101100-SA-M**  
US SHOE SIZE / POINTURE  
7.5US → 11.5US Men



PARTS LIST - XTERN SUMMIT ORTHOTIC KIT, SIZE MEDIUM			
Item	Qty	PRODUCT CODE	DESCRIPTION
A	1	201000-BA0-M	MAIN BRACE BODY ASSEMBLY, SIZE MEDIUM
B	1	201000-U00-M	FRONT SHOE SECTION «U» SHAPE, MEDIUM
C	1	201000-C00-ML	CALF SECTION, SIZE MEDIUM-LARGE
D	10	200000-L00-ML	LACE CLIP ATTACHMENT, SIZE MEDIUM-LARGE
E	1	501302-K00-ML	MOLDED CALF PAD + STRAP MEDIUM LARGE
F	3	700000-SET-007	SET SCREW 8-32 X 3/8" L. 18-8 STAINLESS STEEL
G	20	700000-ZZZ-001	TIE-WRAP BLACK 18 LBS/4" LONG
H	1	700000-HEX-003	HEX-L-KEY 5/64"

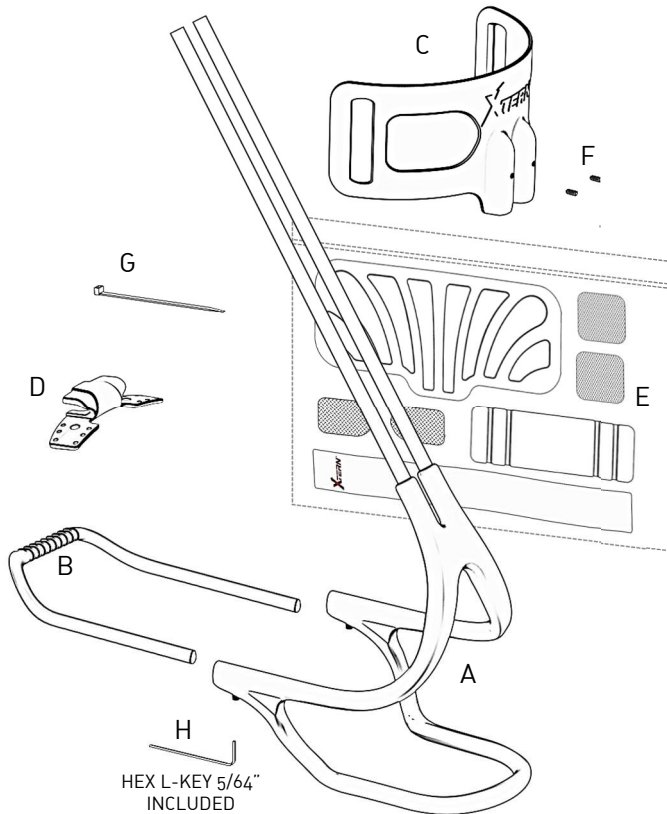
**REQUIRED TOOLS (NOT INCLUDED)**

**OUTILS REQUIS (NON INCLUS)**

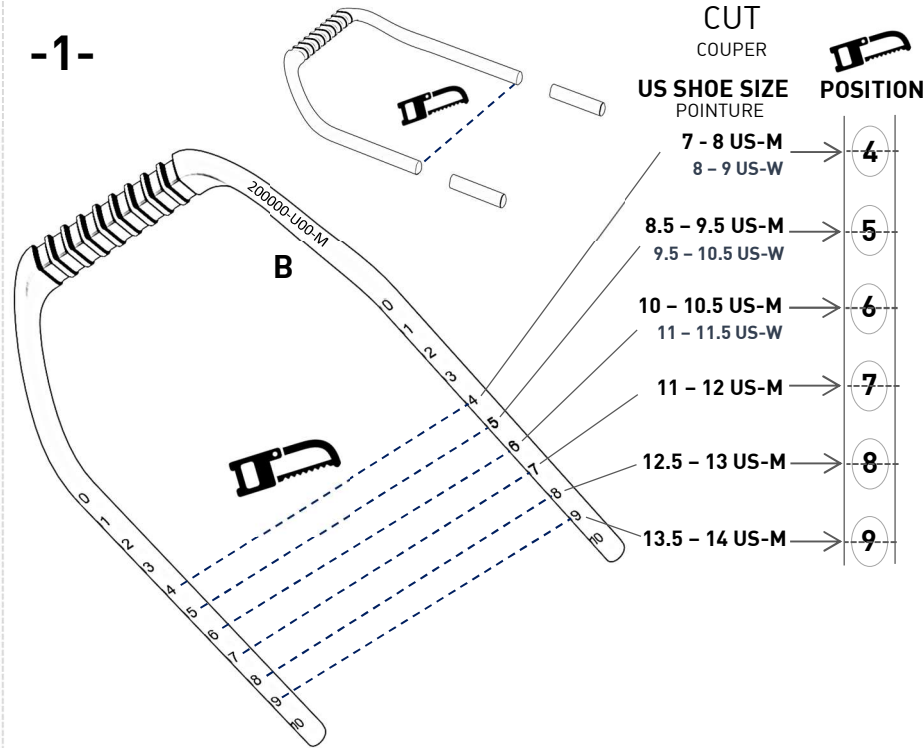


DRILL BIT / MÈCHE  
5/32" (4.00 mm)

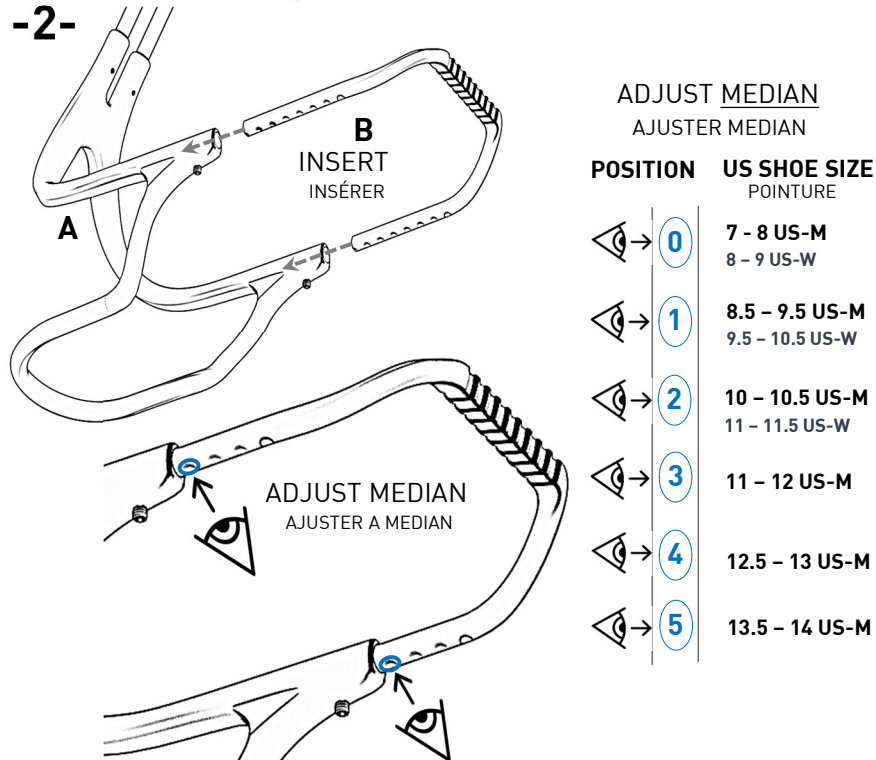
For further technical information, visit or call: [www.turbomedorthotics.com](http://www.turbomedorthotics.com)  
Pour plus d'informations techniques, visiter ou appeler t: 1-888-778-8726



**-1-**

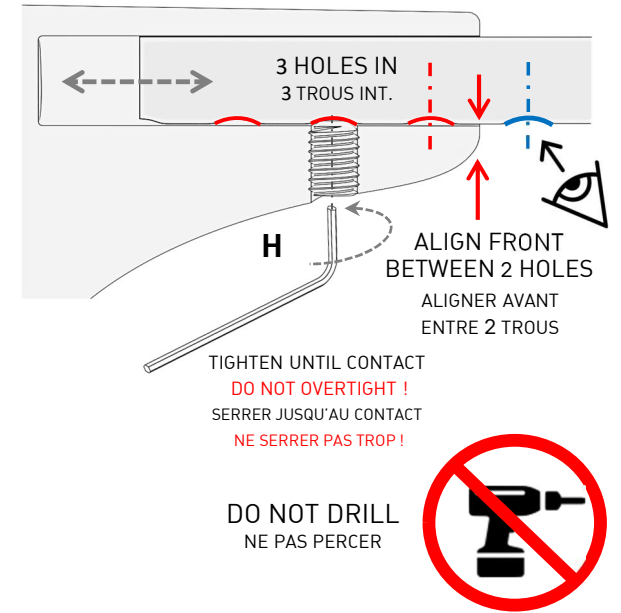


**-2-**



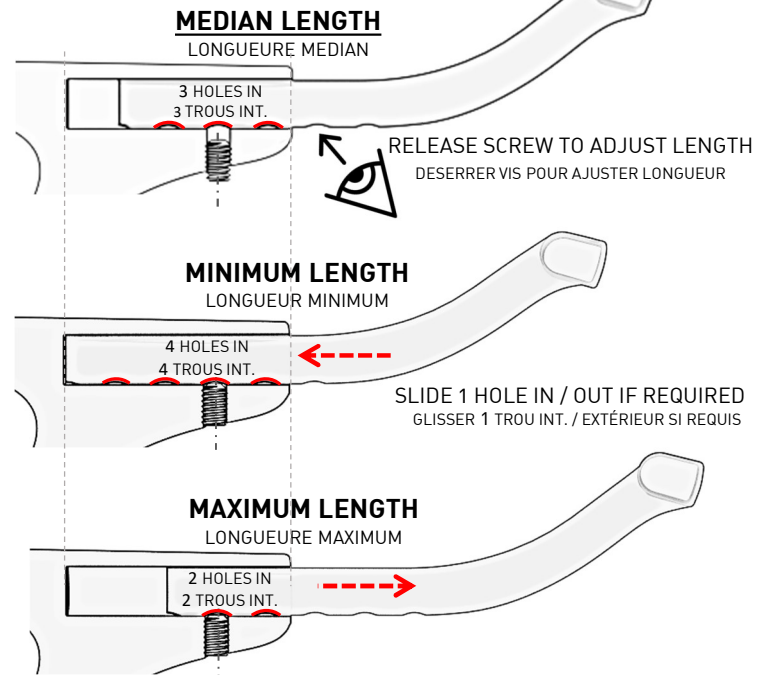
**-3-**

**ADJUST MEDIAN  
AJUSTER A MEDIAN**



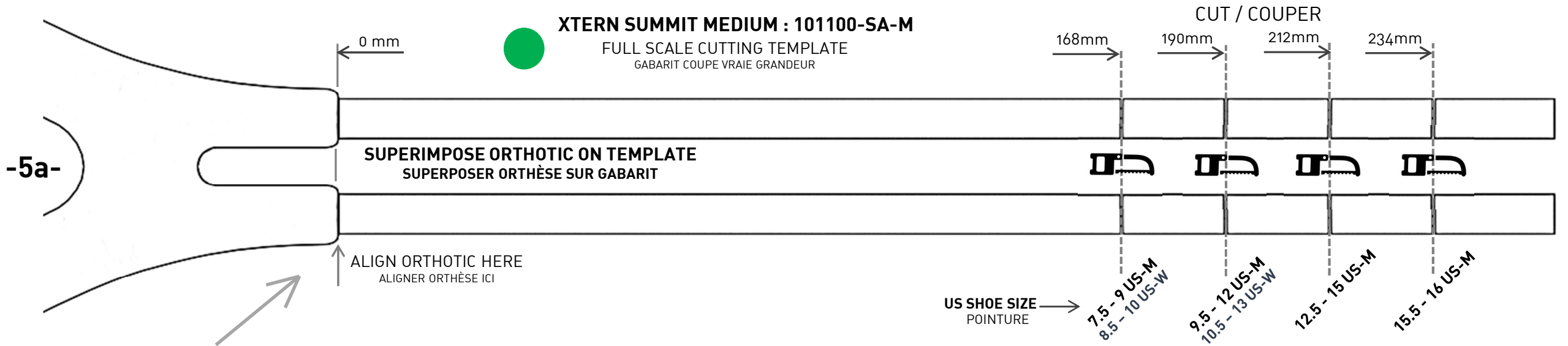
**-4-**

**LENGTH ADJUSTABLE  
LONGUEUR AJUSTABLE**



**XTERN SUMMIT MEDIUM : 101100-SA-M**

FULL SCALE CUTTING TEMPLATE  
GABARIT COUPE VRAIE GRANDEUR



SEE CUTTING TEMPLATE  
VOIR GABARIT DE COUPE

