

# XTERN FRONTIER ORTHOTIC KIT ORTHÈSE XTERN FRONTIER



**MEDIUM : 102100-SA-M**  
US SHOE SIZE / POINTURE  
7.5 US → 10.5 US Men

**LARGE : 102100-SA-L**  
US SHOE SIZE / POINTURE  
10.5US → 16US Men

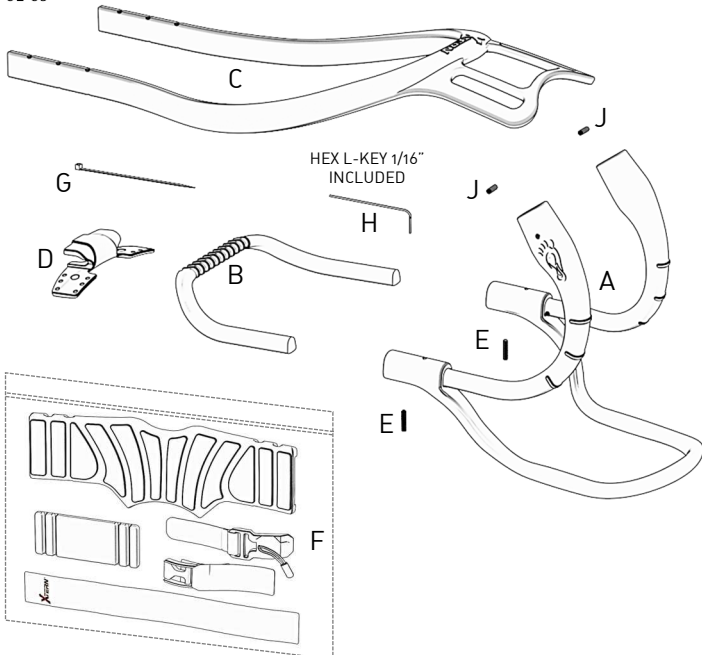


PARTS LIST- XTERN ANTERIOR ORTHOTIC KIT, SIZE LARGE / MEDIUM			
Item	Qty	PRODUCT CODE	DESCRIPTION
A	1	202000-BA0-L 202000-BA0-M	MAIN BRACE BODY ASSEMBLY, SIZE <span style="background-color: yellow;">LARGE</span> / <span style="background-color: green;">MEDIUM</span>
B	1	200000-U00-ML	FRONT SHOE SECTION «U» SHAPE, MEDIUM-LARGE
C	1	202000-S00-M	SHIN ARCH SECTION
D	5	200000-L00-ML	LACE CLIP ATTACHMENT, SIZE MEDIUM-LARGE
E	3	700000-SET-002	SET SCREW 5-40 X 1/2" L. 18-8 STAINLESS STEEL
F	1	502400-K00-SML	SHIN PAD & MAGNET STRAP KIT
G	20	700000-ZZZ-001	TIE-WRAP BLACK 18 LBS/4" LONG
H	1	700000-HEX-001	HEX-L-KEY 1/16" (FOR 5-40 SET SCREW)
J	3	700000-SET-005	SET SCREW 5-40 X 5/16" L. 18-8 STAINLESS STEEL

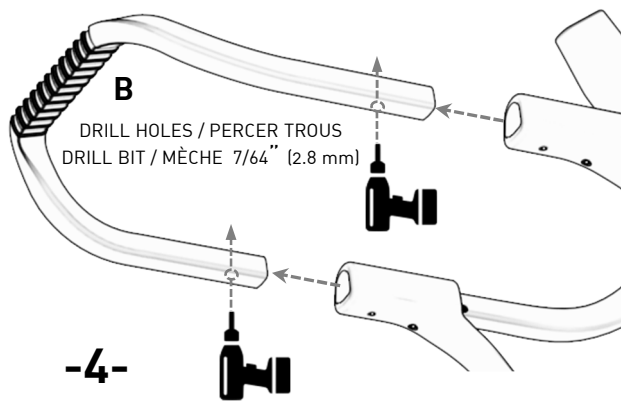
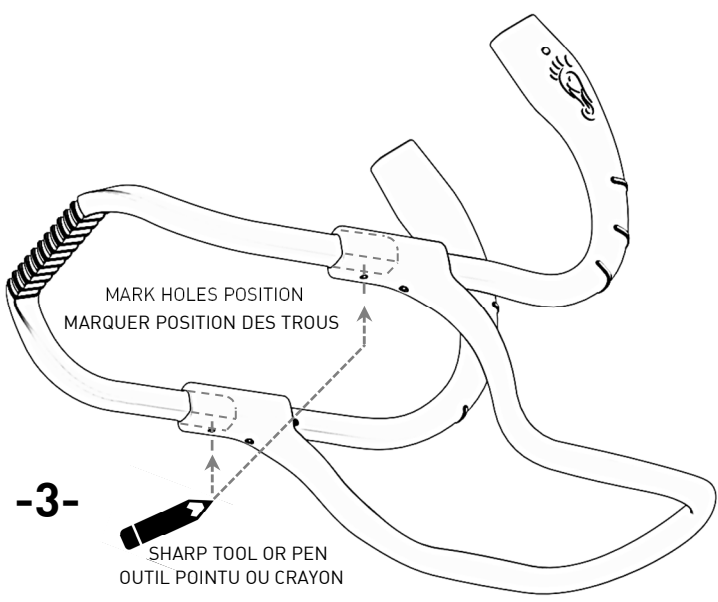
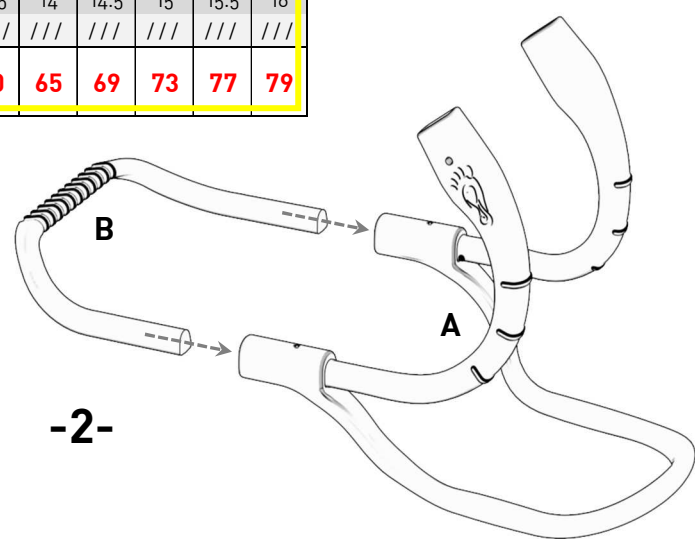
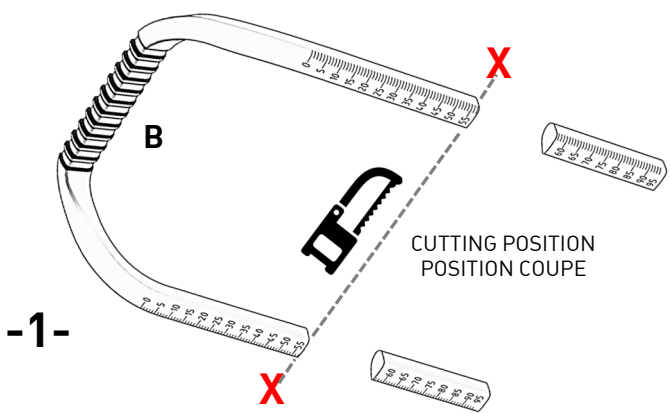
**REQUIRED TOOLS (NOT INCLUDED)**  
**OUTILS REQUIS (NON INCLUS)**

DRILL BIT / MÈCHE  
7/64" (2.8 mm)

For further technical information, visit or call: [www.turbomedorthotics.com](http://www.turbomedorthotics.com)  
Pour plus d'informations techniques, visiter ou appeler : t: 1-888-778-8726

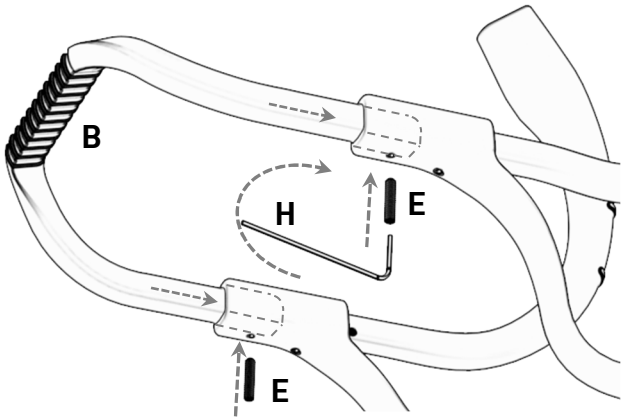


		CUTTING CHART / CHARTE DE COUPE													
US SHOE SIZE / POINTURE US		GRANDEUR MEDIUM SIZE							GRANDEUR LARGE SIZE						
MEN / HOMME	7.5 8 8.5 9 9.5 10 10.5	11 11.5 12 12.5 13 13.5 14 14.5 15 15.5 16													
WOMEN / FEMME	8.5 9 9.5 10 10.5 11 11.5	/// // // // // // // // // // // //													
<b>X</b> CUTTING POSITION POSITION COUPE	<b>22 25 29 31 34 37 40</b>	<b>43 46 50 53 57 60 65 69 73 77 79</b>													

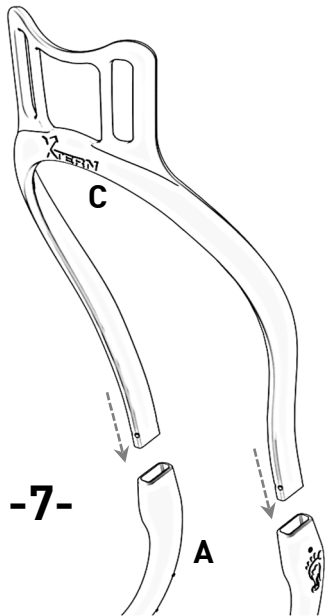
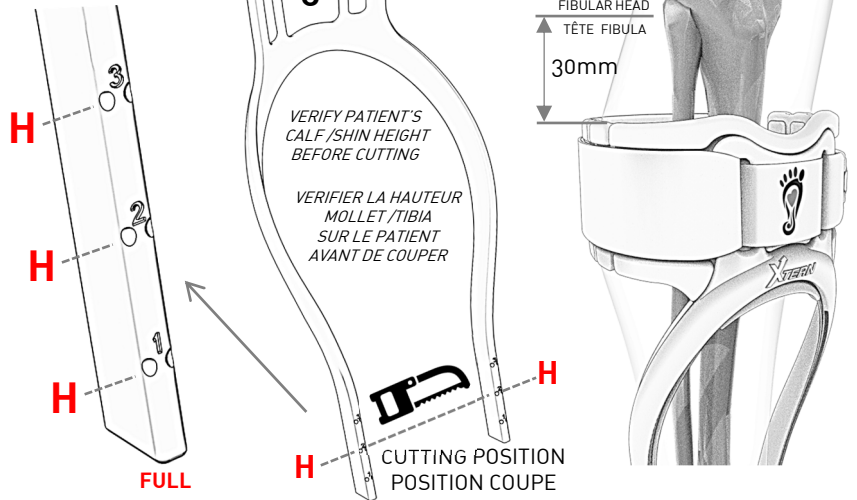


SHIN SUPPORT CUTTING CHART / CHARTE DE COUPE SUPPORT TIBIAL																			
US SHOE SIZE POINTURE US	GRANDEUR MEDIUM SIZE							GRANDEUR LARGE SIZE											
MEN / HOMME	7.5	8	8.5	9	9.5	10	10.5	11	11.5	12	12.5	13	13.5	14	14.5	15	15.5	16	
WOMEN / FEMME	8.5	9	9.5	10	10.5	11	11.5	///	///	///	///	///	///	///	///	///	///	///	
<b>H</b> CUTTING POSITION POSITION COUPE	<b>3</b>	<b>3</b>	<b>2</b>	<b>2</b>	<b>2</b>	<b>2</b>	<b>2</b>	<b>2</b>	<b>2</b>	<b>1</b>	<b>1</b>	<b>1</b>	<b>1</b>	<b>1</b>	<b>1</b>	<b>1</b>	<b>1</b>	<b>FULL</b>	<b>FULL</b>

-5-



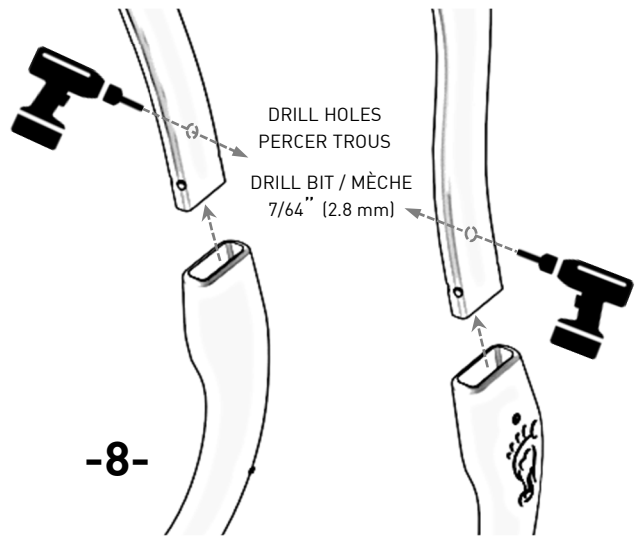
-6-



-7-

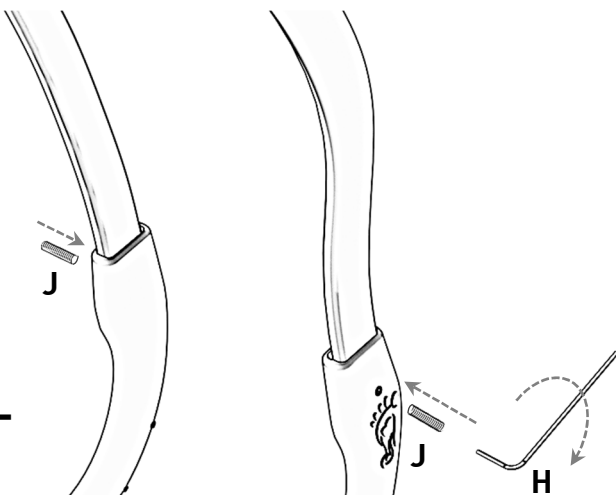
MARK HOLES  
MARQUER TROUS

SHARP TOOL OR PEN  
OUTIL POINTU OU CRAYON



-8-

-9-



-10-

