

**XTERN SUMMIT ORTHOTIC
ORTHÈSE XTERN SUMMIT**

SMALL/PETIT : 101100-SA-S

US SHOE SIZE / POINTURE
2.5US → 8 US Men



2022-09-06



PARTS LIST - XTERN SUMMIT ORTHOTIC KIT, SIZE SMALL			
Item	Qty	PRODUCT CODE	DESCRIPTION
A	1	201000-BA0-S	MAIN BRACE BODY ASSEMBLY, SIZE SMALL
B	1	201000-U00-S	FRONT SHOE SECTION «U» SHAPE, SMALL
C	1	201000-C00-S	CALF SECTION, SIZE SMALL
D	10	200000-L00-S	LACE CLIP ATTACHMENT, SIZE SMALL
E	1	501302-K00-S	MOLDED CALF PAD + STRAP SMALL
F	3	700000-SET-007	SET SCREW 8-32 X 3/8" L. 18-8 STAINLESS STEEL
G	20	700000-ZZZ-001	TIE-WRAP BLACK 18 LBS/4" LONG
H	1	700000-HEX-003	HEX-L-KEY 5/64"

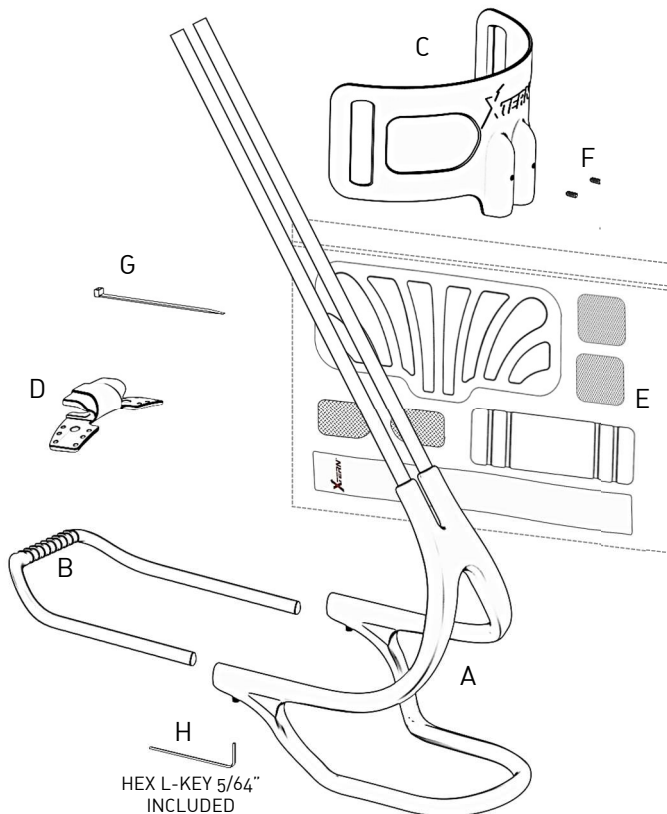
REQUIRED TOOLS (NOT INCLUDED)

OUTILS REQUIS (NON INCLUS)

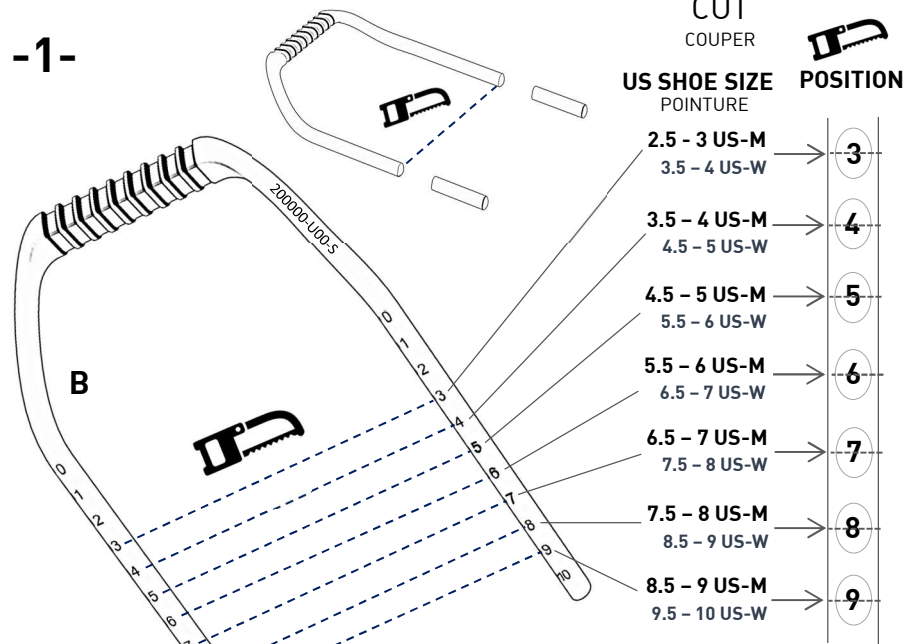


DRILL BIT / MÈCHE
5/32" (4.00 mm)

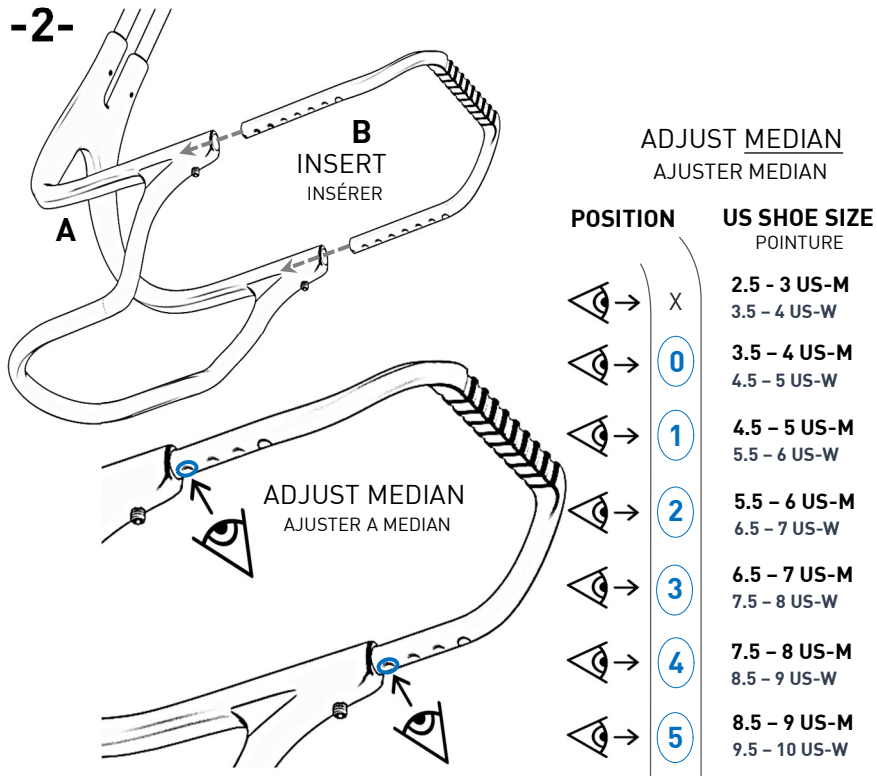
For further technical information, visit or call: www.turbomedorthotics.com
Pour plus d'informations techniques, visiter ou appeler t: 1-888-778-8726



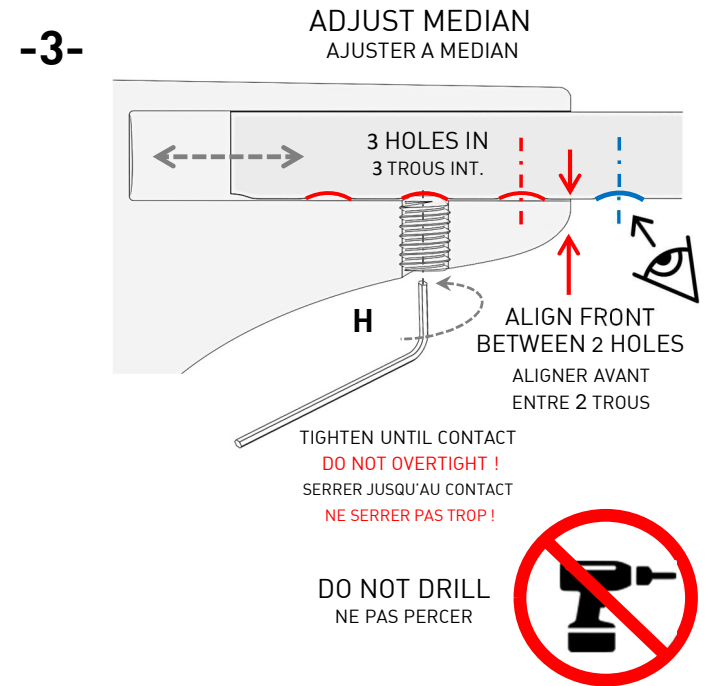
-1-



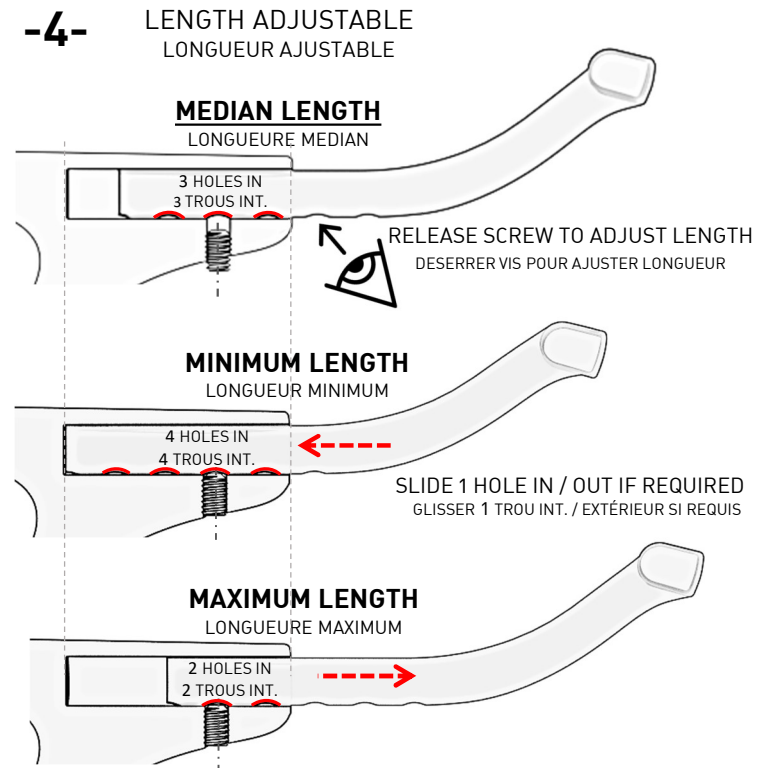
-2-



-3-



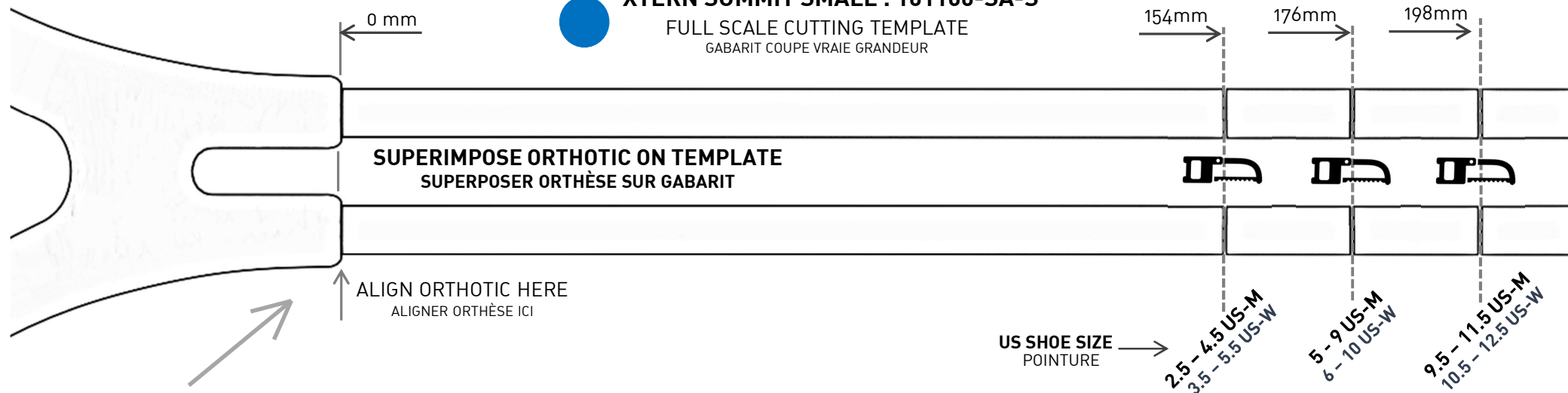
-4-



XTERN SUMMIT SMALL : 101100-SA-S

FULL SCALE CUTTING TEMPLATE
GABARIT COUPE VRAIE GRANDEUR

-5a-



SUPERIMPOSE ORTHOTIC ON TEMPLATE
SUPERPOSER ORTHÈSE SUR GABARIT

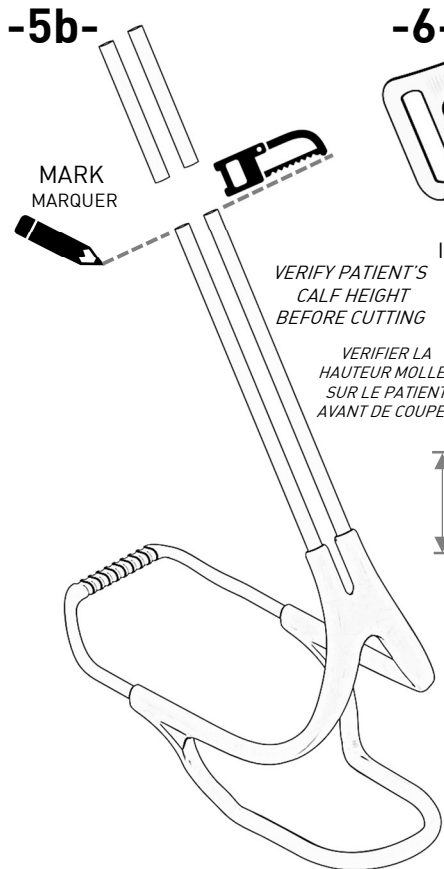
ALIGN ORTHOTIC HERE
ALIGNER ORTHÈSE ICI

US SHOE SIZE
POINTURE

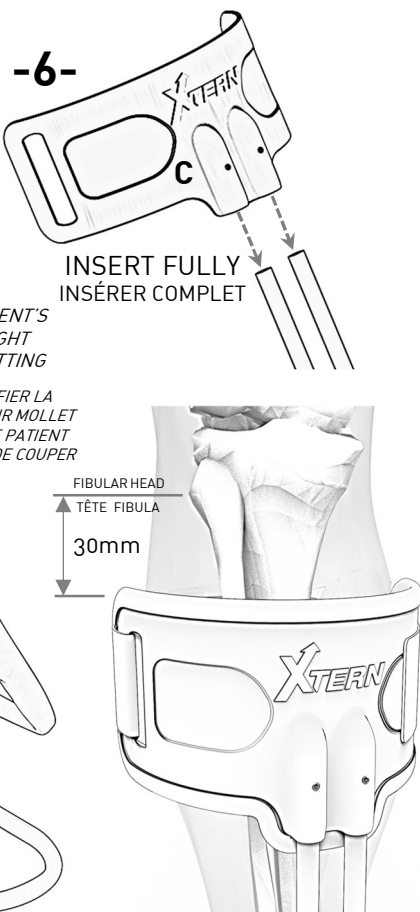
2.5 - 4.5 US-M
3.5 - 5.5 US-W
5 - 9 US-M
6 - 10 US-W
9.5 - 11.5 US-M
10.5 - 12.5 US-W

SEE CUTTING TEMPLATE
VOIR GABARIT DE COUPE

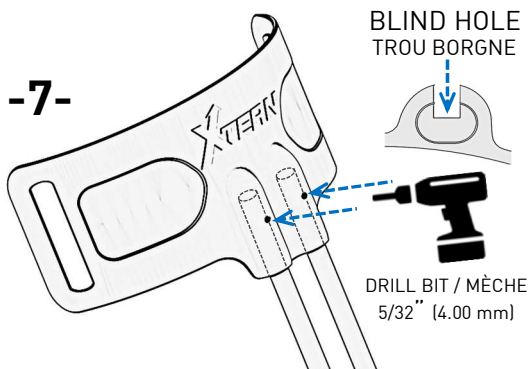
-5b-



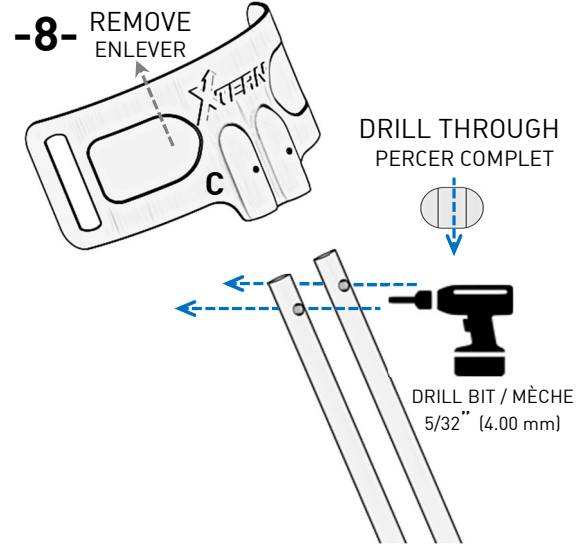
-6-



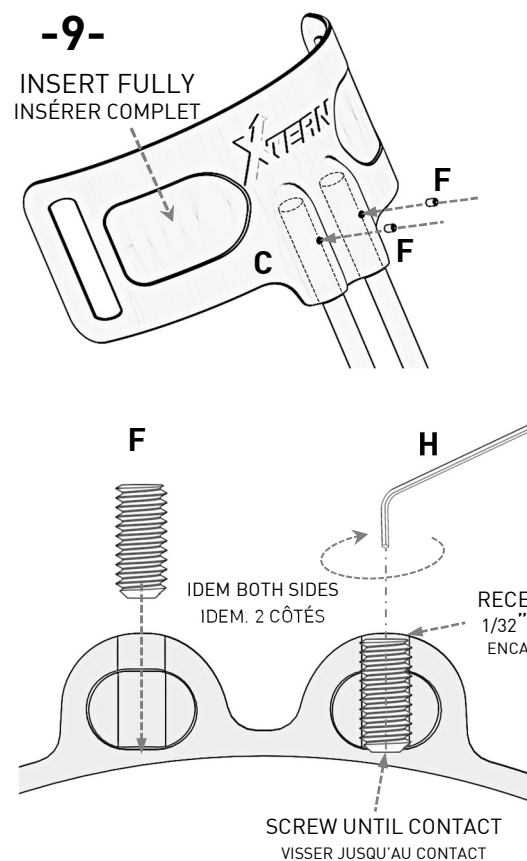
-7-



-8-



-9-



-10-

