

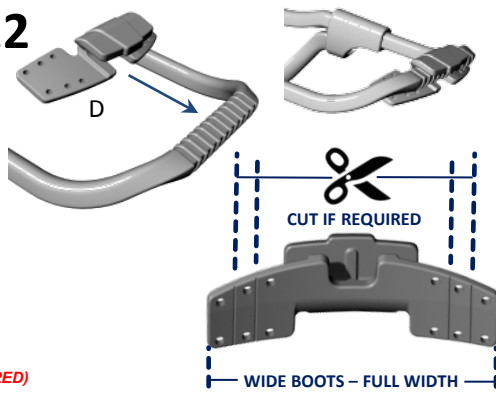
11



INSTALL CALF PAD & STRAP KIT (INSTRUCTIONS IN THE BAG)

BRACE WIDTH CAN BE ADJUSTED WIDER OR NARROWER FOR BETTER LOOK & FIT ON PATIENT SHOE. (SEE THERMOFORMING GUIDELINE IF REQUIRED)

12



CUT IF REQUIRED

WIDE BOOTS - FULL WIDTH

13 - EASY FITTING SHOES FOR FIRST TRIAL - SNEAKERS - TENNIS SHOES

ENOUGH EYELETS



WE RECOMMEND STABLE SHOES WITH FIRM HEELCAP, ROBUST FABRIC AND FITTED WITH RIDGES ON SOLE CONTOUR TO HOLD THE BRACE IN PLACE.

AVOID MINIMALIST SHOES WITH VERY LIGHT FABRIC AND THIN SOLE.

ROBUST FABRIC

BULKY SOLE+RIDGES FOR HEEL FRICTION GRIP

14



LOOK FOR EYELETS POSITION.

15



ASK PATIENT TO DON THE SHOE & SELECT WIDTH FOR HOLES.

16



INSTALL TIE-WRAPS IN EYELETS. NEVER ATTACH AROUND THE LACES!

17



LOCK TIE-WRAPS IN REAR CORNERS OR BEST FIT POSITION.

18



TIGHTEN TIE-WRAPS AT MAXIMUM VERY STRONG FIXATION IS IMPORTANT! PULL FIRMLY ON LACE CLIP AND VALIDATE IT'S SOLIDLY ANCHORED AND BONDED TO THE SHOE.

19



HOOK THE BRACE ON THE SHOE AND YOU'RE READY FOR ACTION! SEE LACE CLIP FITTING LEAFLET FOR MORE FOOTWEAR OPTIONS. (VIDEOS TUTORIALS AVAILABLE ON YOUTUBE & OUR WEBSITE)

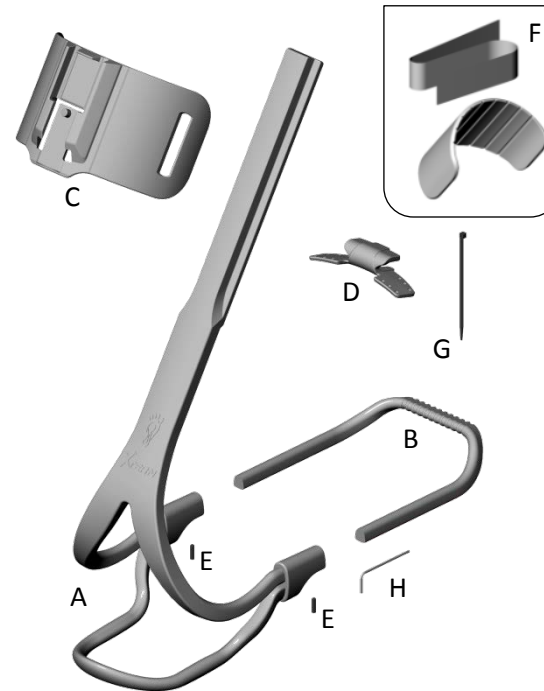


ASSEMBLY INSTRUCTIONS  
XTERN SEMI-ASSEMBLED ORTHOTIC KIT  
SIZE MEDIUM (100100-SA-M)



6 20553 28089 8 SHOE SIZE 7.5 US -> 10.5 US Men

2018-04-10 - 100100-SA-M XTERN



SUGGESTED TOOLS

- POWERED DRILL (VARIABLE SPEED)
- DRILL BIT 7/64" (2.8 MM)
- HEX ALLEN KEY 1/16" (INCLUDED)
- METAL HAND SAW
- MEASURING CALIPER 300MM OR MEASURING TAPE
- BENCH VISE WITH SOFT PAD JAW (PLASTIC / LEATHER)
- TRAUTMAN SANDER AND CARVER
- CUTTER PLIER
- PROPANE BLOW TORCH (IF THERMOFORMING REQUIRED)

PROTECTIVE SAFETY GEAR:

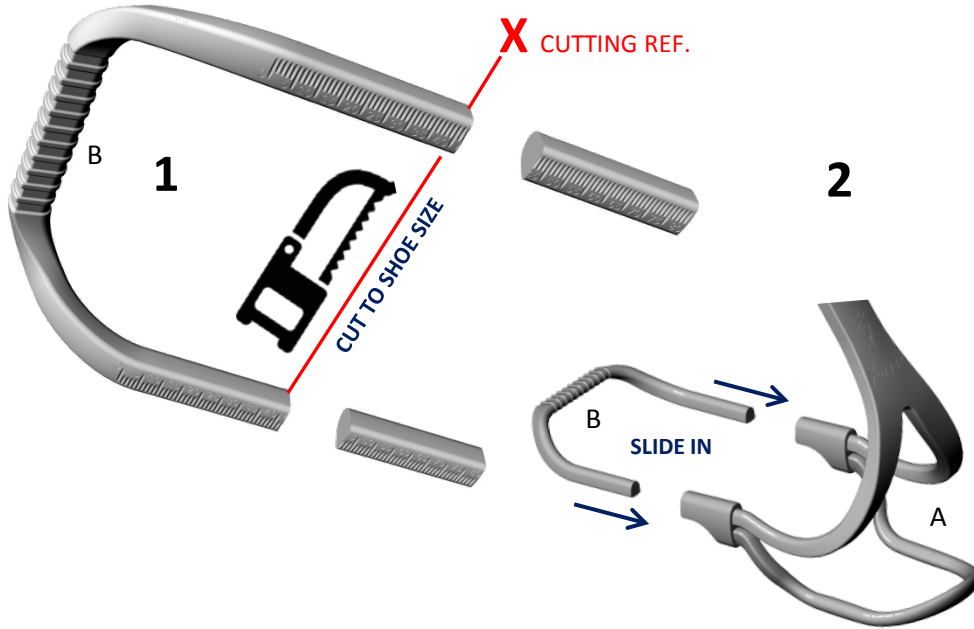
SAFETY GOGGLES, GLOVES, DUST MASK & ALL OTHER PROTECTION REQUIRED BY YOUR HEALTH & SAFETY WORK POLICY

PARTS LIST - XTERN ORTHOTIC KIT, SIZE MEDIUM (100100-SA-M)

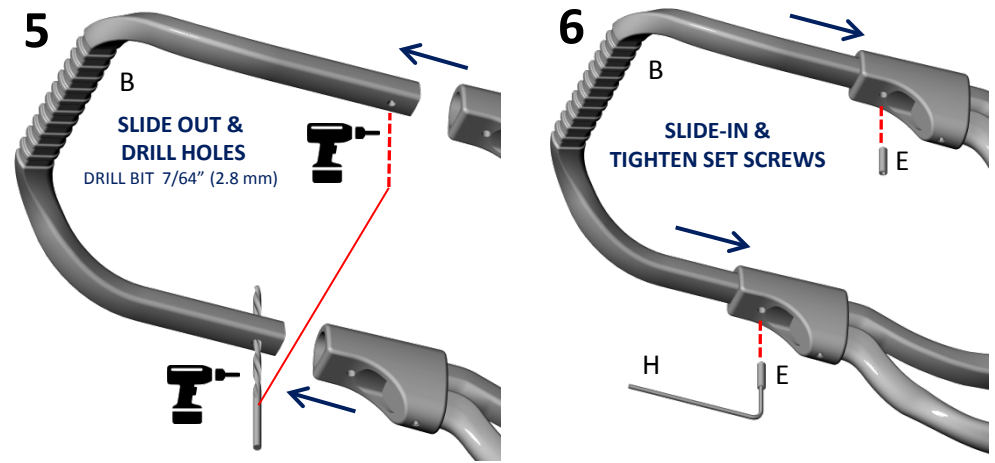
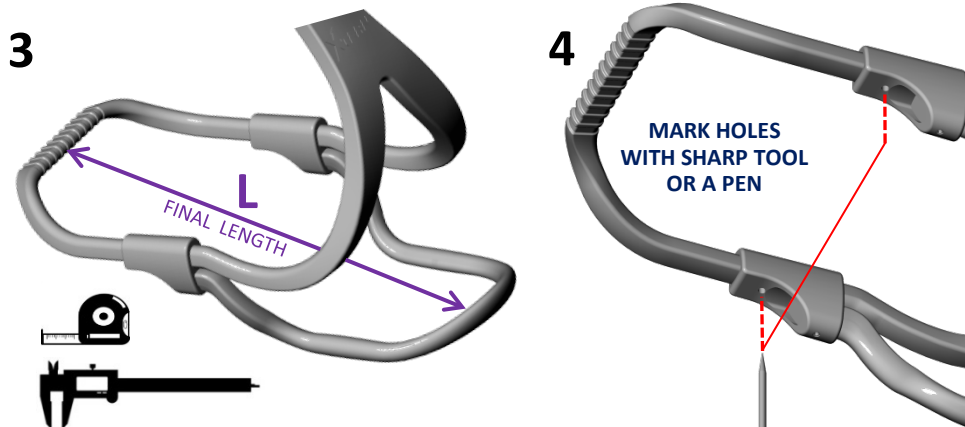
Item	Qty	PRODUCT CODE	DESCRIPTION
A	1	200000-BA0-M	MAIN BRACE BODY ASSEMBLY, SIZE MEDIUM
B	1	200000-U00-ML	FRONT SHOE SECTION «U» SHAPE, SIZE MEDIUM-LARGE
C	1	200000-C00-ML	PLASTIC CALF SECTION, SIZE MEDIUM-LARGE
D	5	200000-L00-ML	LACE CLIP ATTACHMENT, SIZE MEDIUM-LARGE
E	3	700000-SET-002	SET SCREW 5-40 X 1/2" LONG. 18-8 STAINLESS STEEL
F	1	500301-K00-SML	COMPLETE STRAP & CUSHIONS KIT
G	20	700000-ZZZ-001	TIE-WRAP BLACK 18 LBS/4" LONG
H	1	700000-HEX-001	HEX-L-KEY 1/16" (FOR 5-40 SET SCREW)

XTERN MEDIUM KIT - LENGTH ADJUSTMENT CUTTING CHART									
SHOE SIZE	US-MEN	7.5	8	8.5	9	9.5	10	10.5	11
SHOE SIZE	US-WOMEN	8.5	9	9.5	10	10.5	11	11.5	///
<b>CUTTING REF.</b>	<b>X</b>	<b>22</b>	<b>25</b>	<b>29</b>	<b>31</b>	<b>34</b>	<b>37</b>	<b>40</b>	<b>43</b>

SEE GRADUATIONS ENCARVED UNDER FRONT "U" SECTION

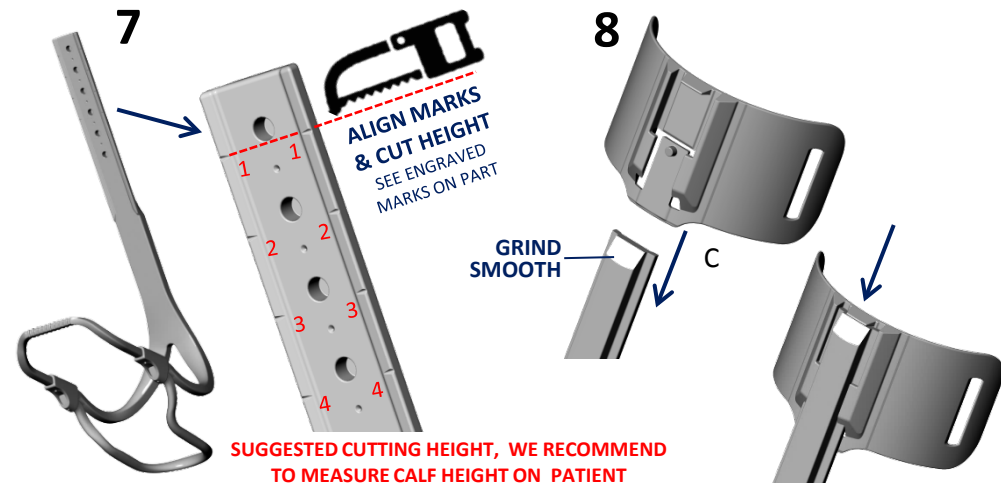


XTERN MEDIUM KIT - LENGTH MEASUREMENT CHART									
SHOE SIZE	US-MEN	7.5	8	8.5	9	9.5	10	10.5	11
SHOE SIZE	US-WOMEN	8.5	9	9.5	10	10.5	11	11.5	///
<b>FINAL LENGTH</b>	<b>L (mm)</b>	<b>196</b>	<b>199</b>	<b>203</b>	<b>205</b>	<b>208</b>	<b>211</b>	<b>214</b>	<b>217</b>



XTERN MEDIUM KIT - CALF SUPPORT ADJUSTMENT CHART									
SHOE SIZE	US-MEN	7.5	8	8.5	9	9.5	10	10.5	11
SHOE SIZE	US-WOMEN	8.5	9	9.5	10	10.5	11	11.5	///
<b>CUTTING REF.</b>	<b>H</b>	<b>3</b>	<b>3</b>	<b>3</b>	<b>3</b>	<b>2</b>	<b>2</b>	<b>2</b>	<b>2</b>

SEE NUMBERS MARKS ON PART



SUGGESTED CUTTING HEIGHT, WE RECOMMEND TO MEASURE CALF HEIGHT ON PATIENT

