

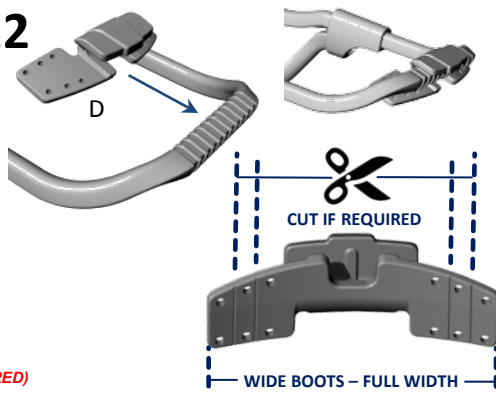
11



INSTALL CALF PAD & STRAP KIT (INSTRUCTIONS IN THE BAG)

BRACE WIDTH CAN BE ADJUSTED WIDER OR NARROWER FOR BETTER LOOK & FIT ON PATIENT SHOE. (SEE THERMOFORMING GUIDELINE IF REQUIRED)

12



CUT IF REQUIRED

WIDE BOOTS - FULL WIDTH

13 - EASY FITTING SHOES FOR FIRST TRIAL - SNEAKERS - TENNIS SHOES



ENOUGH EYELETS

ROBUST FABRIC

BULKY SOLE+RIDGES FOR HEEL FRICTION GRIP

WE RECOMMEND STABLE SHOES WITH FIRM HEELCAP, ROBUST FABRIC AND FITTED WITH RIDGES ON SOLE CONTOUR TO HOLD THE BRACE IN PLACE. AVOID MINIMALIST SHOES WITH VERY LIGHT FABRIC AND THIN SOLE.



14

LOOK FOR EYELETS POSITION.



15

ASK PATIENT TO DON THE SHOE & SELECT WIDTH FOR HOLES.



16

INSTALL TIE-WRAPS IN EYELETS. NEVER ATTACH AROUND THE LACES!



17

LOCK TIE-WRAPS IN REAR CORNERS OR BEST FIT POSITION.



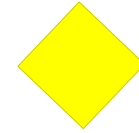
18

TIGHTEN TIE-WRAPS AT MAXIMUM VERY STRONG FIXATION IS IMPORTANT! PULL FIRMLY ON LACE CLIP AND VALIDATE IT'S SOLIDLY ANCHORED AND BONDED TO THE SHOE.



19

HOOK THE BRACE ON THE SHOE AND YOU'RE READY FOR ACTION! SEE LACE CLIP FITTING LEAFLET FOR MORE FOOTWEAR OPTIONS. (VIDEOS TUTORIALS AVAILABLE ON YOUTUBE & OUR WEBSITE)

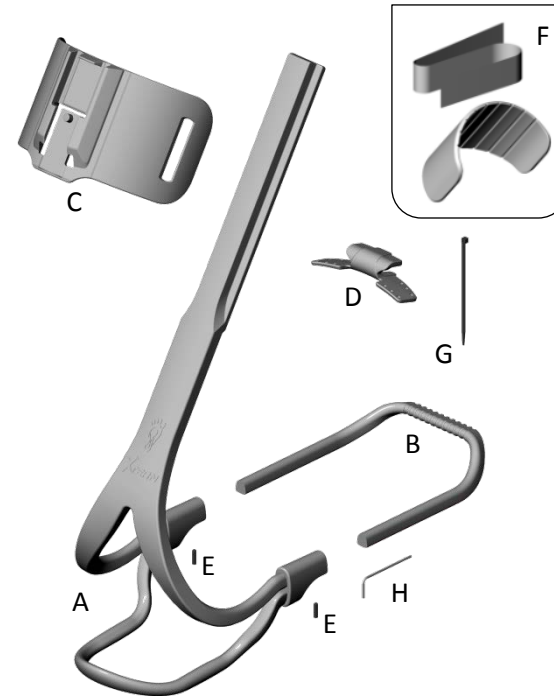


ASSEMBLY INSTRUCTIONS
XTERN SEMI-ASSEMBLED ORTHOTIC KIT
SIZE LARGE (100100-SA-L)



SHOE SIZE 11 US -> 16 US Men

2018-04-10 - 100100-SA-L XTERN



SUGGESTED TOOLS

- POWERED DRILL (VARIABLE SPEED)
- DRILL BIT 7/64" (2.8 MM)
- HEX ALLEN KEY 1/16" (INCLUDED)
- METAL HAND SAW
- MEASURING CALIPER 300MM OR MEASURING TAPE
- BENCH VISE WITH SOFT PAD JAW (PLASTIC / LEATHER)
- TRAUTMAN SANDER AND CARVER
- CUTTER PLIER
- PROPANE BLOW TORCH (IF THERMOFORMING REQUIRED)

PROTECTIVE SAFETY GEAR:

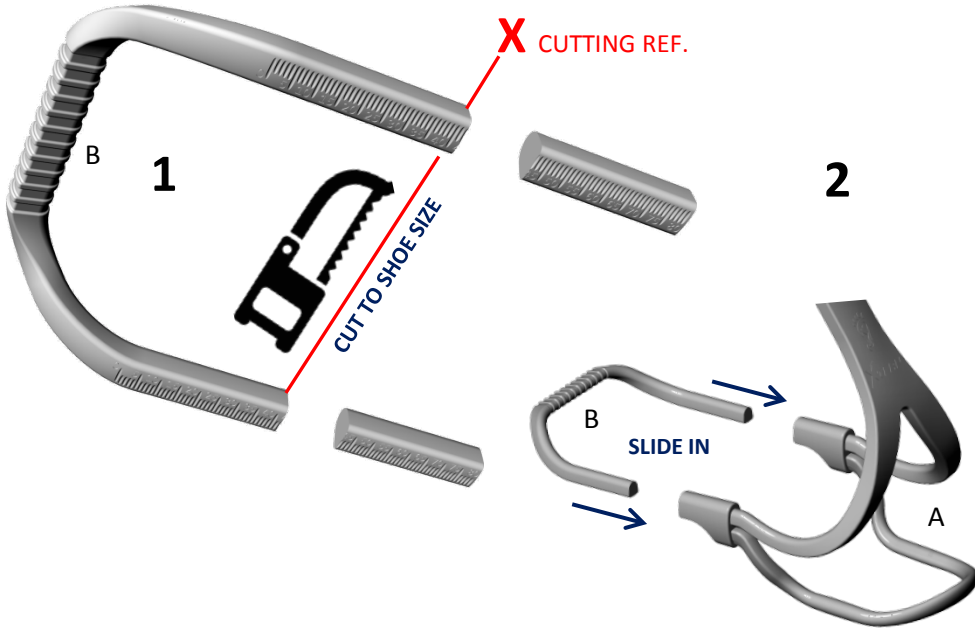
SAFETY GOGGLES, GLOVES, DUST MASK & ALL OTHER PROTECTION REQUIRED BY YOUR HEALTH & SAFETY WORK POLICY

PARTS LIST - XTERN ORTHOTIC KIT, SIZE LARGE (100100-SA-L)

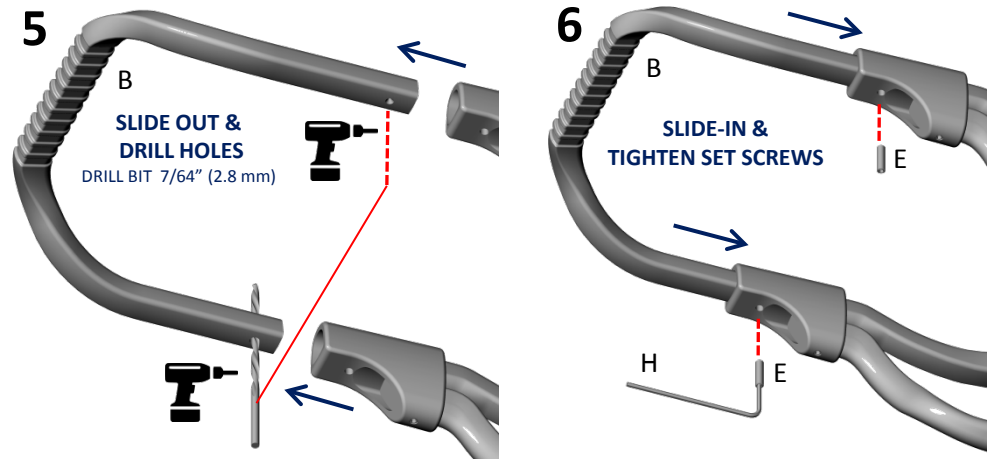
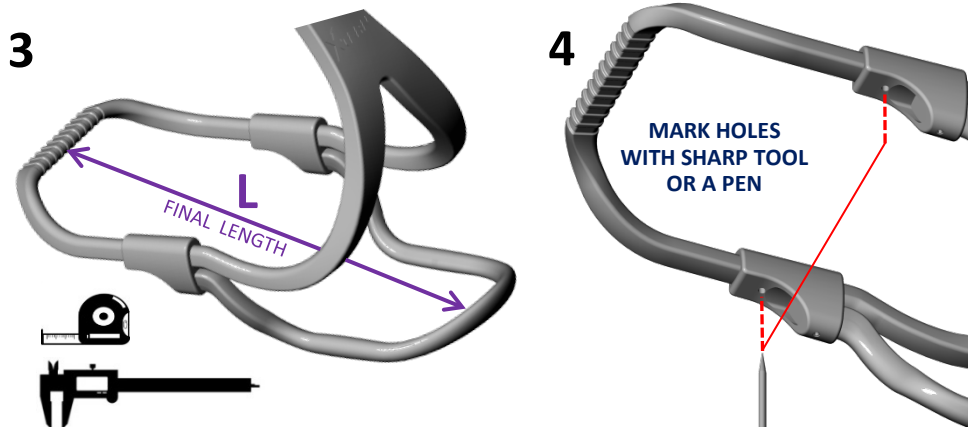
Item	Qty	PRODUCT CODE	DESCRIPTION
A	1	200000-BA0-L	MAIN BRACE BODY ASSEMBLY, SIZE LARGE
B	1	200000-U00-ML	FRONT SHOE SECTION «U» SHAPE, SIZE MEDIUM-LARGE
C	1	200000-C00-ML	CALF SECTION, SIZE MEDIUM-LARGE
D	5	200000-L00-ML	LACE CLIP ATTACHMENT, SIZE MEDIUM-LARGE
E	3	700000-SET-002	SET SCREW 5-40 X 1/2"LONG. 18-8 STAINLESS STEEL
F	1	500301-K00-SML	COMPLETE STRAP & CUSHIONS KIT
G	20	700000-ZZZ-001	TIE-WRAP BLACK 18 LBS/4"LONG
H	1	700000-HEX-001	HEX-L-KEY 1/16" (FOR 5-40 SET SCREW)

XTERN LARGE KIT - LENGTH ADJUSTEMENT CUTTING CHART												
SHOE SIZE	US-MEN	11	11.5	12	12.5	13	13.5	14	14.5	15	15.5	16
SHOE SIZE	US-WOMEN	///	///	///	///	///	///	///	///	///	///	///
CUTTING REF.	X	43	46	50	53	57	60	65	69	73	77	79

SEE GRADUATIONS ENCARVED UNDER FRONT "U" SECTION

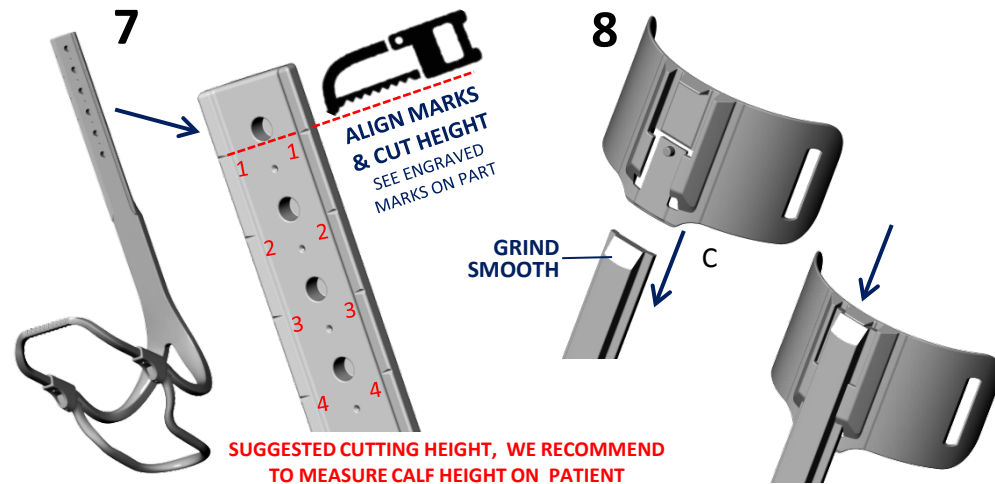


XTERN LARGE KIT - LENGTH MEASUREMENT CHART												
SHOE SIZE	US-MEN	11	11.5	12	12.5	13	13.5	14	14.5	15	15.5	16
SHOE SIZE	US-WOMEN	///	///	///	///	///	///	///	///	///	///	///
FINAL LENGTH	L (mm)	217	220	223	226	230	233	237	241	244	248	252



XTERN LARGE KIT - CALF SUPPORT ADJUSTEMENT CHART												
SHOE SIZE	US-MEN	11	11.5	12	12.5	13	13.5	14	14.5	15	15.5	16
SHOE SIZE	US-WOMEN	///	///	///	///	///	///	///	///	///	///	///
CUTTING REF.	H	2	2	2	1	1	1	1	1	1	FULL	FULL

SEE NUMBERS MARKS ON PART



SUGGESTED CUTTING HEIGHT, WE RECOMMEND TO MEASURE CALF HEIGHT ON PATIENT

